



Yuasa Fiche de données techniques

Yuasa 53030 - YuMicron batterie

Performance

Tension	12V
Capacity (10-hour)	-Ah
Capacité (20 heures)	30Ah
CCA @ -18°C	180A

Dimensions (±2mm)

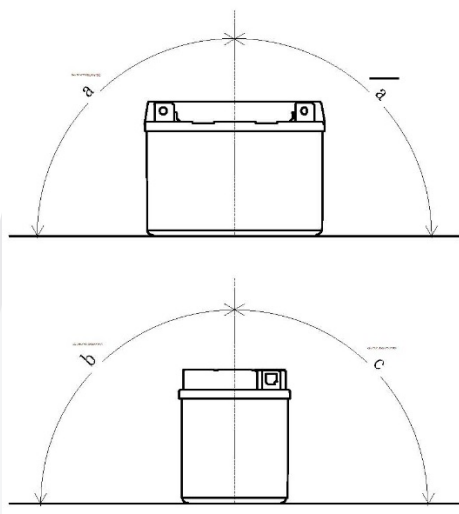
Longueur	186mm
Largeur	130mm
Hauteur	171mm

Poids & Mesures

Poids moyen avec acide	9.4kg
Volume d'acide	1.6l

Mounting Angle

Angle A	Vertical only
Angle B	Vertical only
Angle C	Vertical only

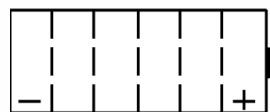


Technologie

Technologie

Cast Sb/Ca

Schéma de montage des éléments



Type de bornes - 10



Date de publication: 17/11/2016 - E&OE



Yuasa Technical Data Sheet

Yuasa 53030 - YuMicron Battery

Performance

Voltage	12V
Capacity (10-hour)	-Ah
Capacity (20-hour)	30Ah
CCA @ -18°C	180A

Dimensions (±2mm)

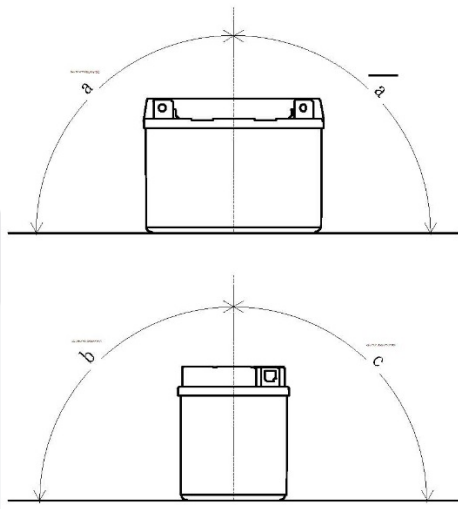
Length	186mm
Width	130mm
Height	171mm

Weights & Measures

Mean Weight with Acid	9.4kg
Acid Volume	1.6l

Mounting Angle

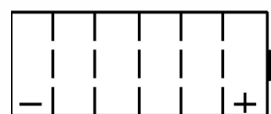
Angle A	Vertical only
Angle B	Vertical only
Angle C	Vertical only



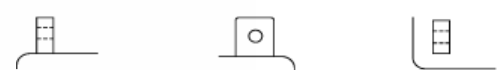
Technology

Technology Cast Sb/Ca

Cell Assembly Layout



Terminal Type - 10



Data Sheet generated on 17/11/2016 - E&OE